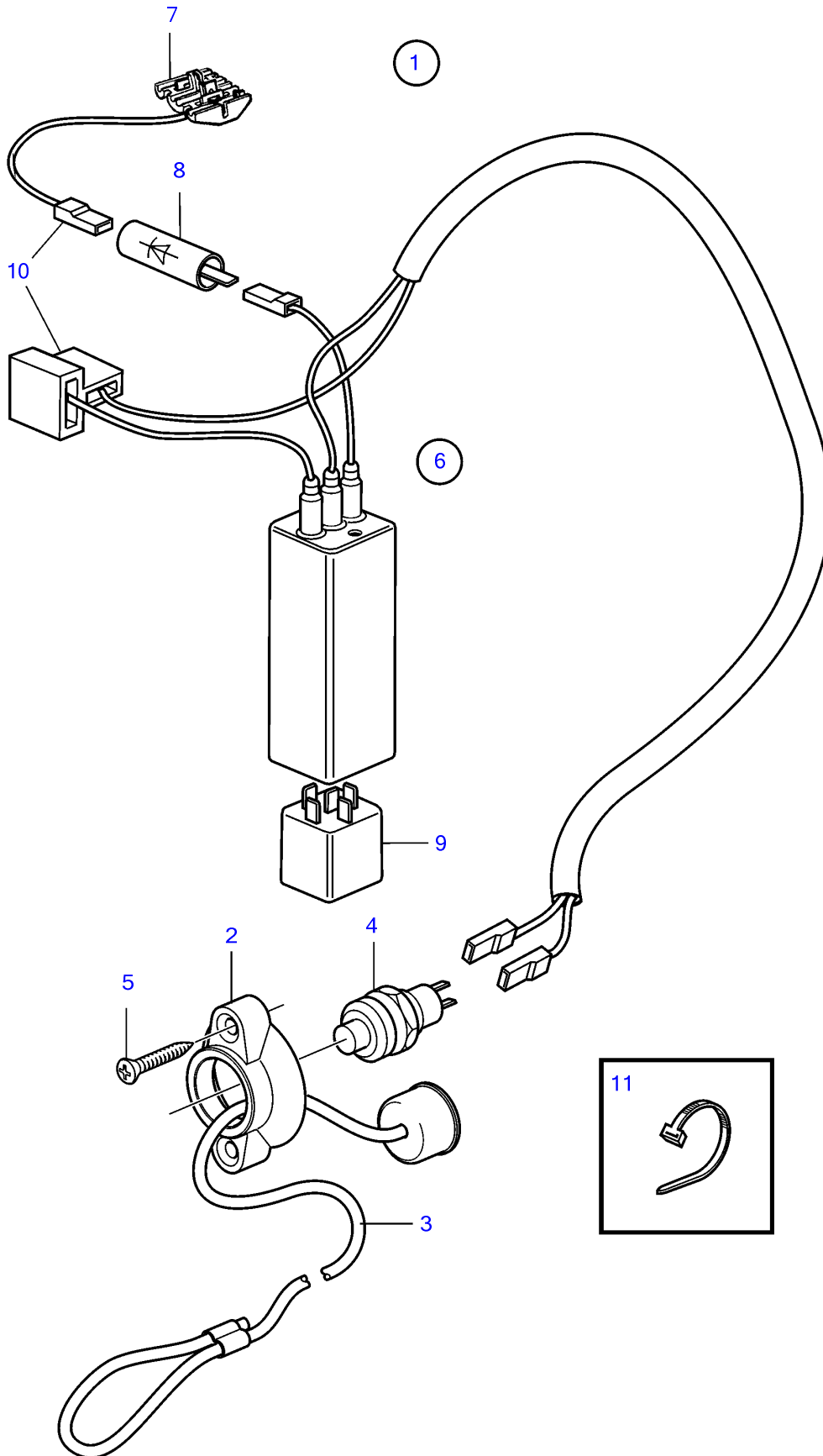


AD31L-A, AD31P-A, AD41L-A, AD41P-A, D41L-A, TAMD31L-A, TAMD31M-A, TAMD31P-A, TAMD31S-A, TAMD41H-A, TAMD41H-B, TAMD41P-A, TAMD41L-A, TAMD41M-A, TMD31L-A, TMD41L-A



AD31L-A, AD31P-A, AD41L-A, AD41P-A, D41L-A, TAMD31L-A, TAMD31M-A, TAMD31P-A, TAMD31S-A, TAMD41H-A, TAMD41H-B, TAMD41P-A, TAMD41L-A, TAMD41M-A, TMD31L-A, TMD41L-A

REF	PART NO.	QTY	DESCRIPTION	SEE SEC.	NOTES
1	873977	1	Safety switch		Repl by 873977
2	839342	1	• Anchorage		
3	839421	1	• Fuse		
4	843684	1	• Button		
5	944540	2	• Screw		
6	873968	1	• Cable kit		
7	944306	1	• • Connector		
8		1	• • Diode		(1624394)
9	873765	1	• • Relay		
10		X	• • electrical materials	1963	
11	948211	5	• Cable tie		